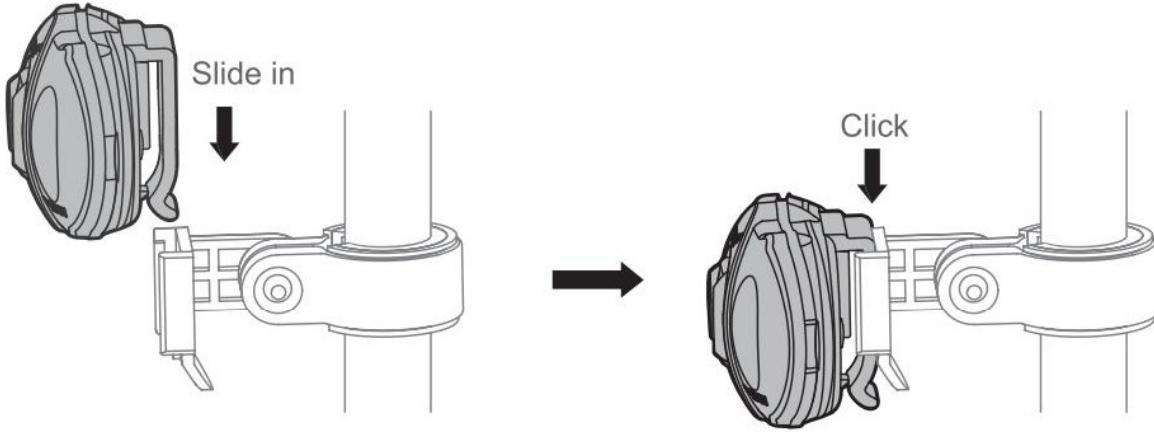


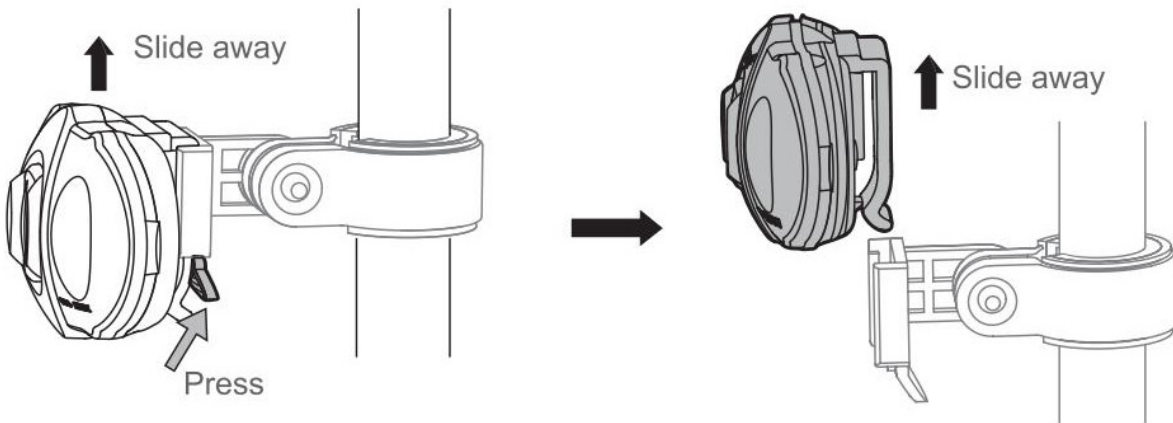
MOUNTING YOUR LIGHT

1. Install the bracket onto your seat post or seat stay.
2. Slide the light into the bracket until it clicks into place.



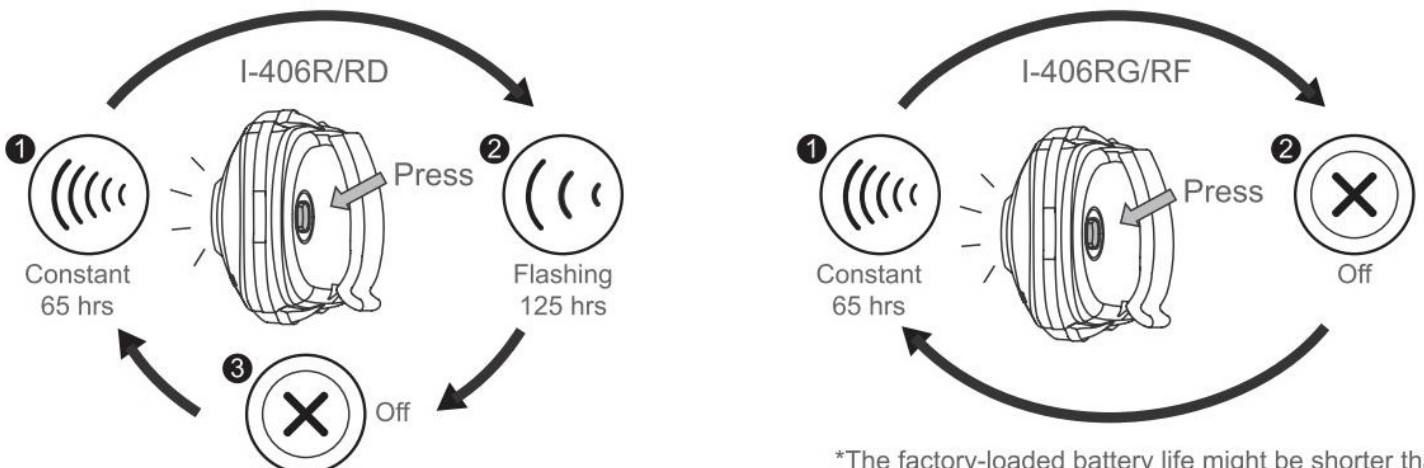
LIGHT REMOVAL

Press the release tab and slide the light away from the bracket.



TO SWITCH MODES

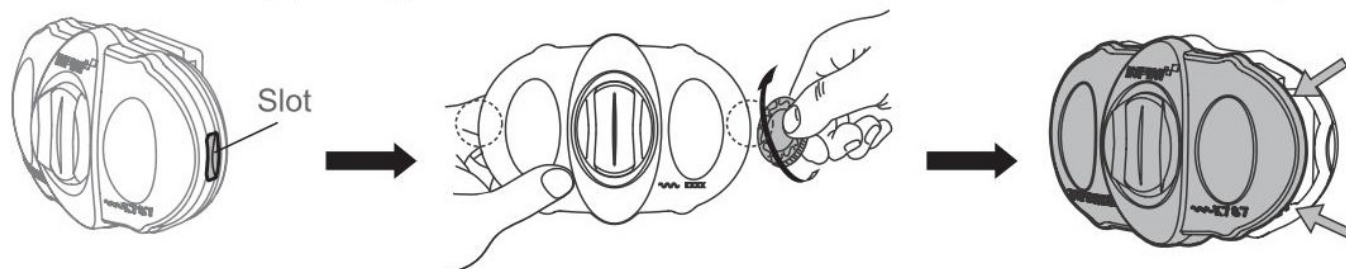
Press the button on the back of the light.



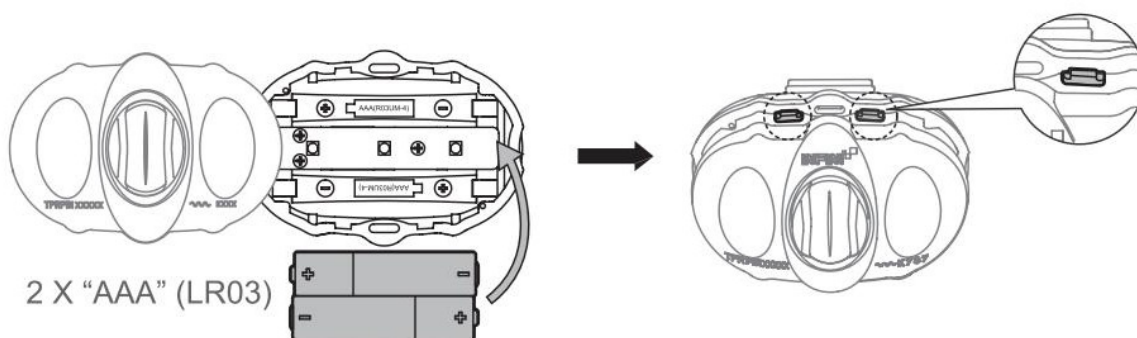
*The factory-loaded battery life might be shorter than the specification.

BATTERY INSTALLATION

Remove the lens by placing a coin in the side slot and twist until the two sides separate.

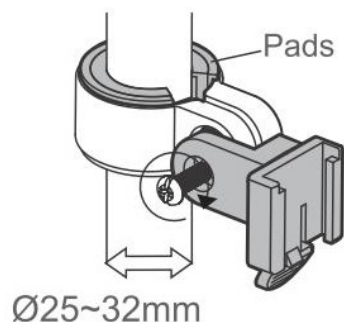


Install 2 X "AAA" (LR03) batteries into main unit and snap the two sides together.



BRACKET

RB01, Ø25mm~Ø32mm, with 2 rubber pads.

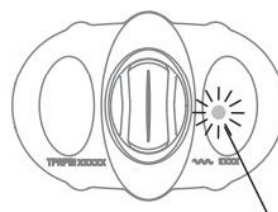


LOW BATTERY INDICATOR (CG-406RG/RF)

Green light flashes:

Remaining battery level is low.

*Please replace the battery once the low battery indicator shows.



Low battery indicator

SPECIFICATIONS

Size:	67 X 46 X 26 mm
Weight:	26g (without battery)
LED:	3 RED LED
Battery:	2 X AAA (LR03)

Caution:

- We recommend to remove batteries from the light during period of non-use to avoid the battery leakage.
- For your own safety, please do not operate the controls of the product while riding.
- Please keep the product out of children's reach.
- Use only the specified type of batteries.
- DO NOT use old battery with new one.



Manufactured by: Chance Good Ent. Co., Ltd.
Quality System Registered to: ISO 9001 / 14001
Website: www.infini.com.tw



A6I406R1618